

规格承认书

Specification for approval

产品名称: 319 塑胶 Mini 汽车保险丝夹具

Product Type: Car Automotive Motorcycles ABS Blade Mini

Micro Fuse Puller For Insertion Removal ATO Tool Extractor

Fuse Holder Clip

Ao littel Technology Co.Ltd.

Bld. 16,Yanhe East Road,Xiangdong Village, Dongguan 523833,
Guangdong,China

H.P.: 1371362419

Fax #:0769-89390418

QQ #: 3217998702

Email : eric.lye@aolittel.com

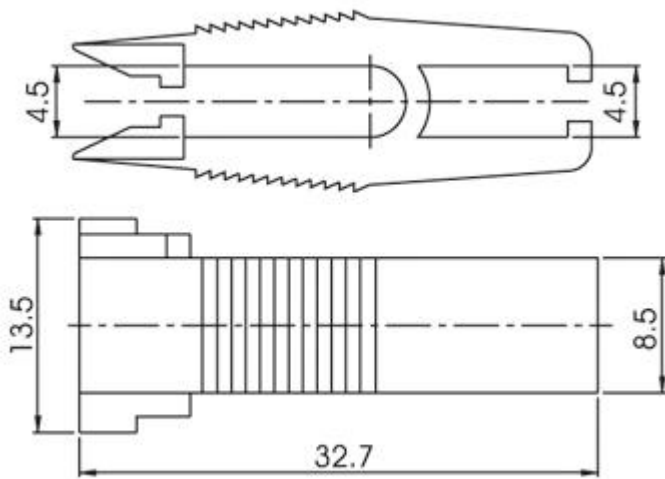
<http://www.passivemall.com/>

<http://www.aolittel.com/>

1. Scope

Allows for easy fuse removal and replacement. Ergonomically designed fuse pullers designed to safely remove power fuses. Molded design offers more comfortable and natural grip than traditional pullers, increasing performance. Conveniently and easily tests ATO and MINI blade fuses either in or out of the fuse block. Indicator light on tester glows bright green when fuse is good. Fuse puller end allows for easy fuse removal and replacement. 24V maximum.

2. Dimension (mm)



3. Photo

